

Meade® #670 Dew Shield

For use with Meade® ETX-60AT and ETX-70AT Telescopes

In moist climates, or on humid days, a drop in temperature at nightfall can cause moisture in the atmosphere to condense as dew. Condensation can occur rapidly on the front lens of a telescope, producing a severe degradation in the image quality. It is not advisable to wipe dew off a telescope's optics, as wiping dust or dirt can inadvertently scratch the sensitive coatings on the lens. Over time, this action will lower the performance of the optics.

The **#670 Dew Shield** surrounds the telescope's optics with a boundary of stagnant air, which inhibits the formation of dew on the lens surface. The inner surface of the #670 Dew Shield is coated with ultra-flat black paint, so it does not introduce stray light into the optical path, nor does it deteriorate the performance of the telescope's optics. Therefore, it is recommended to observe with the #670 Dew Shield if there is even the slightest possibility of dew forming on the lens.

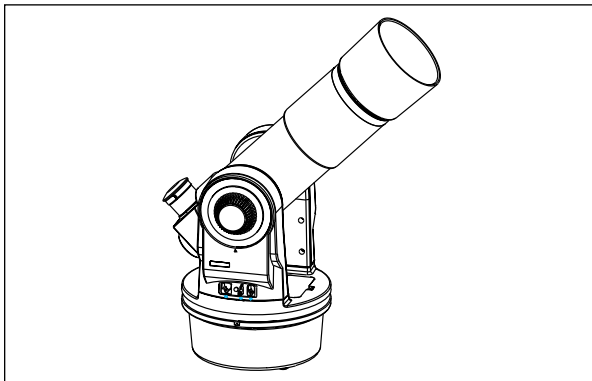


Fig. 1: Dew Shield installation.

To install the #670 Dew Shield:

Remove the dust cover, if necessary, from the front cell of the ETX-60AT or ETX-70AT optical tube, and thread the Dew Shield onto the front cell clockwise. Be careful when starting the threads, or they may become cross-threaded and damaged. Rotate the Dew Shield until it stops (about one revolution); tighten to a "firm feel." Do not overtighten. See **Fig. 1**.

When the observing session is finished, remove the Dew Shield by rotating it counter-clockwise, and replace the dust cover to protect the lens. Make sure the inside of the dust cover is dry, as well as the front surface of the optics. Any humidity trapped between the lens and the dust cover slowly degrades the optical quality of the lens.

The Dew Shield may be inverted on the end of the optical tube for storage with the telescope in the optional #773 Hard Case, or for storage on a desktop or shelf. See **Fig. 2**.

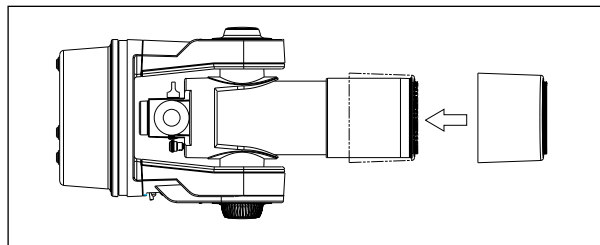


Fig. 2: Inverted Dew Shield.



ADVANCED PRODUCTS DIVISION

Meade Instruments Corporation

World's Leading Manufacturer of Astronomical Telescopes for the Serious Amateur

6001 Oak Canyon, Irvine, California 92618 ■ (949) 451-1450

FAX: (949) 451-1460 ■ www.meade.com

© 2000