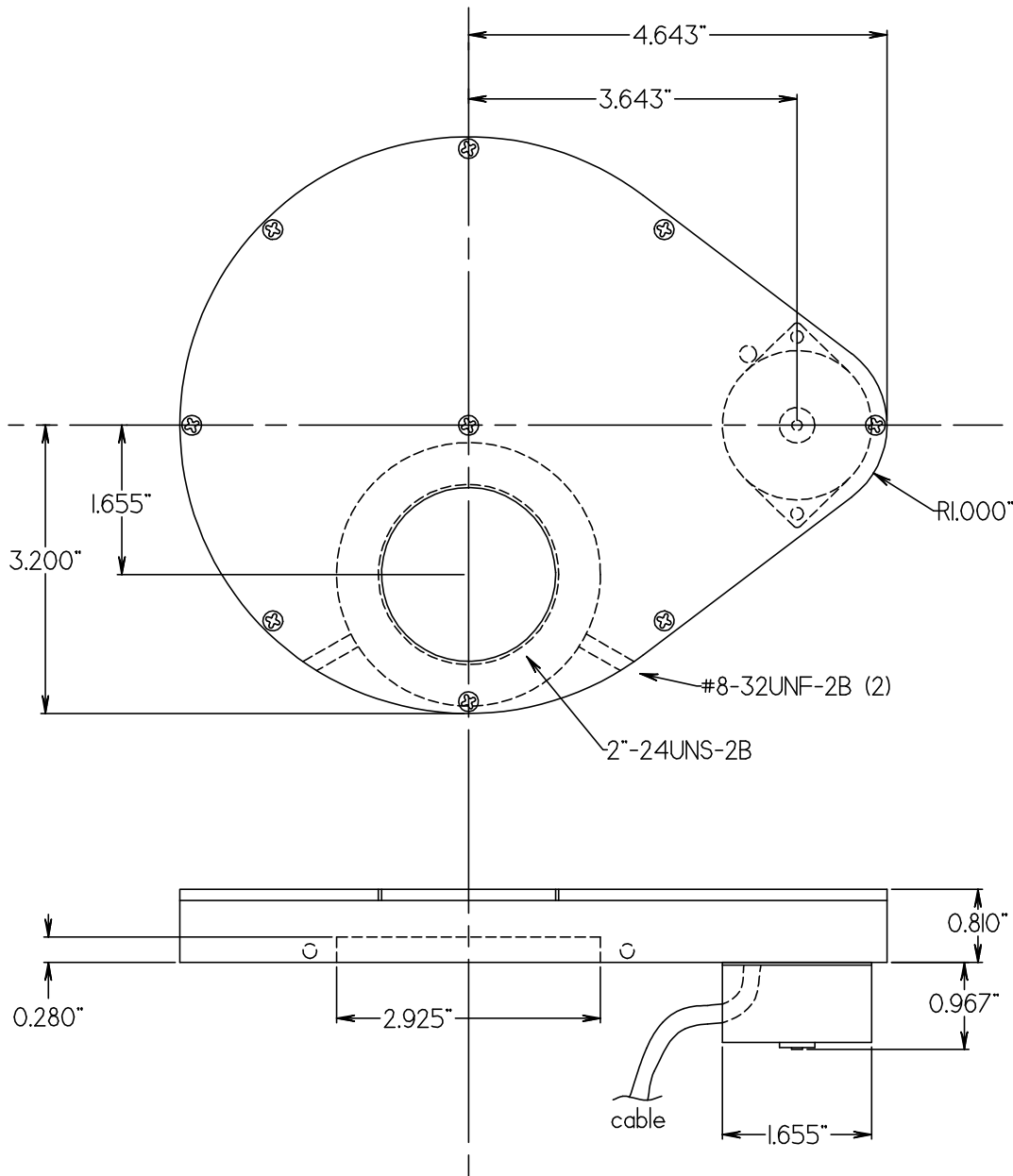


Date	Change Description	Rev	C0
12/06/99	Preliminary	A	
01/05/99	Rotated mounting hole and enlarged aperture	B	



The FLI Color Filter Wheel (CFW) will accept several standard filter sizes, including 2" blanks and 48mm threaded mounts. Optional wheels are available to accept 5 or more filters of slightly smaller diameter.

The CFW mounts to the IMG camera nosepiece via two #8-32 set screws. Adapters are also available for T-mount, C-mount, and other camera interfaces. The top plate of the CFW carries a standard 2"-24UNS-2B thread compatible with the rear port of many telescopes. It also accepts the standard FLI 2" tube. Nikkor or other lens flanges will be available on special order.

The top plate of the CFW is held by 9 cross-recessed trim screws and must be removed to install or remove the filters.

A small stepper motor (nominally 12V) drives the wheel, and there is one sensor output to indicate the #1 filter position.

PRELIMINARY DRAWING-
All dimensions subject to change before final release. Consult FLI for latest information.

Finger Lakes Instrumentation

Material: Aluminum	Unless otherwise specified: .xx = ±.05 .xxx = ±.005 .xxxx = ±.0005 All angular dimensions ±1° Tolerances not applicable to outline and reference drawings!	Date: 12/06/99	Product: COLOR FILTER WHEEL	
Finish: Black Anodize		Drafted: CRH	Desc.: External Dimensions	
Scale: half as "A" size		Checked: reference only	Part #: 010200-3000	Revision: B
		Filename: CFW_extdim2.vcd		