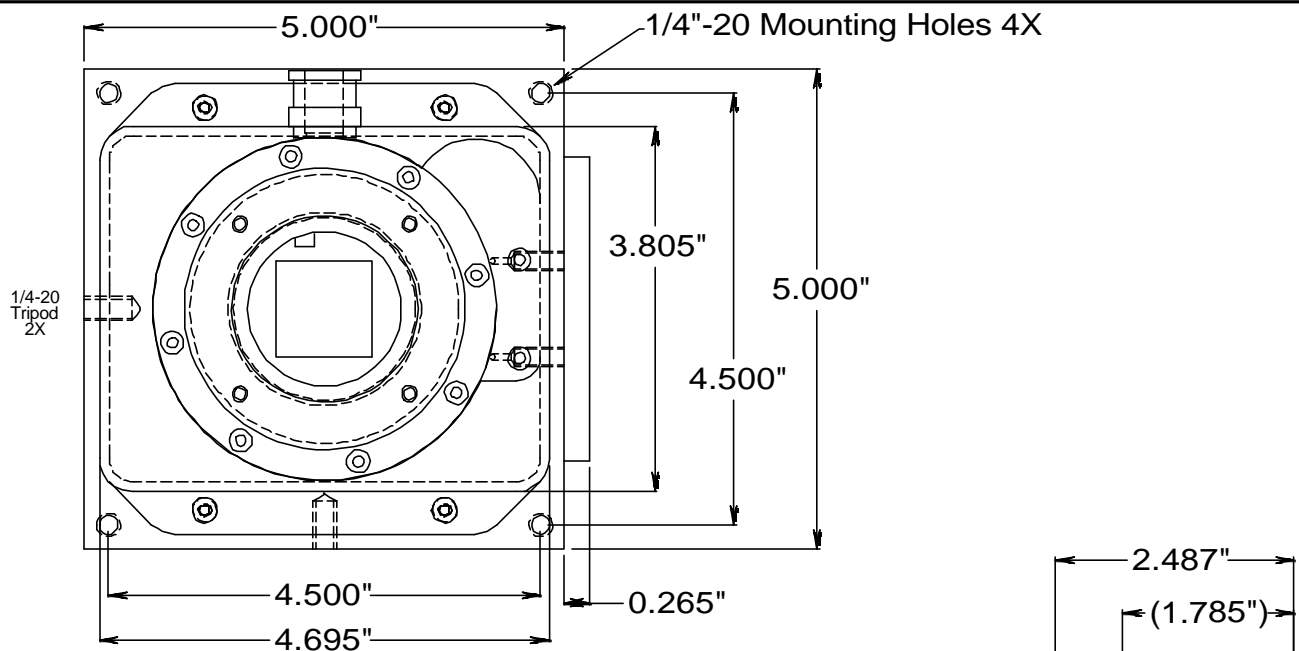
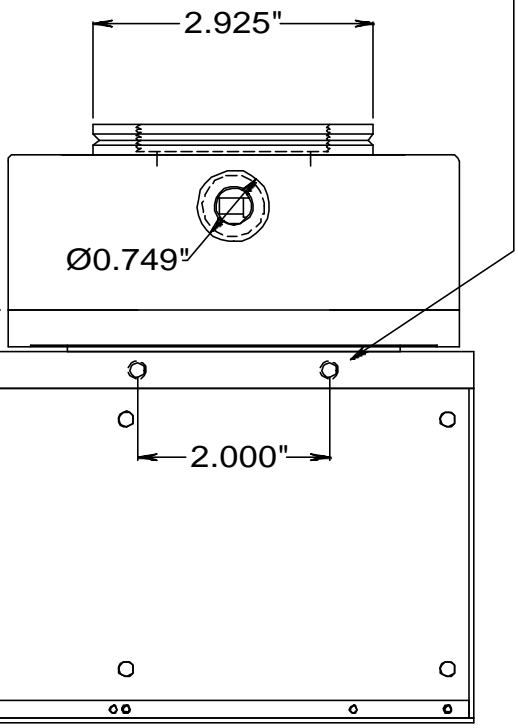
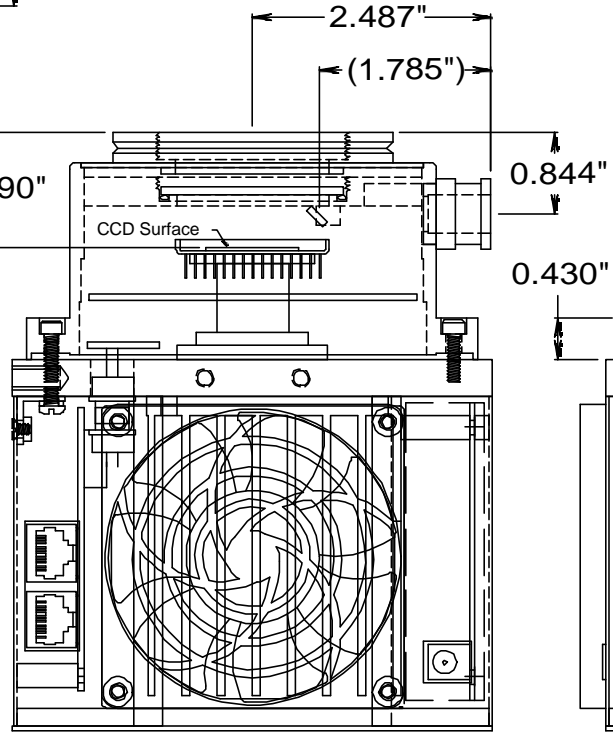
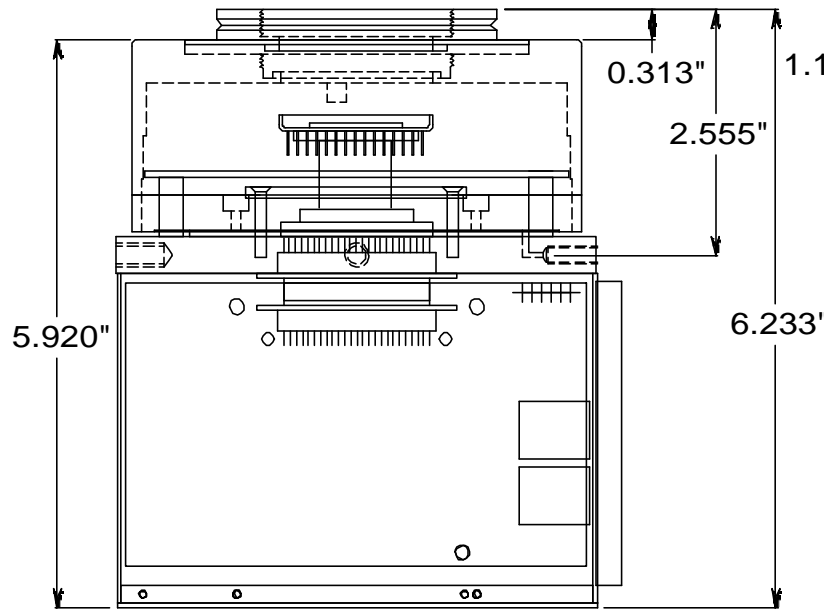


Date	Change Description	Rev	CO



Nosepiece is threaded to accept standard 2"-24 SCT accessories. Due to the wide variation in thread sizes cut by various manufacturers, we find it necessary to thread slightly oversize (2.010"-24) and live with a looser fit for correctly sized parts.

#10-32 Water Cooling Ports 2X



Finger Lakes Instrumentation

Material:	Unless otherwise specified: .xx = ±.05 .xxx = ±.005 .xxxx = ±.0005 All angular dimensions ±1° Tol. not applicable to assemblies	Date:	08/02/99	Product:	IMG SERIES CCD CAMERA	
Finish:		Drafted:	CRH	Desc.:	Layout.TK1024A & similar	
Scale: half		Checked:	reference only	Part #:	Revision:	n/a
		Filename:	IMG_layout2.vcd			