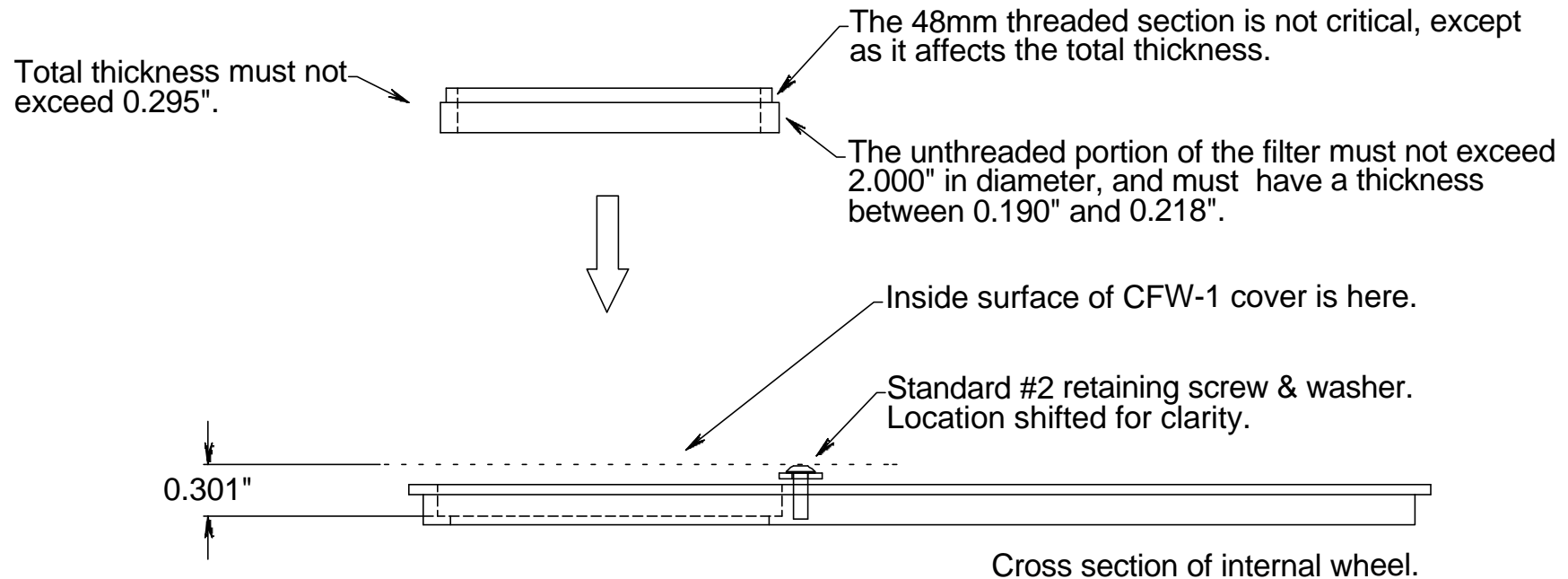


Using 48 mm Mounted Filters with the CFW-1

The CFW-1 was designed to accept 2" diameter unmounted glass filter with a thickness of up to .196" (5mm). By chance, the mounted 48mm filters common to astronomical applications have an outside diameter of just under 2". If the thickness of these mounted filters is within certain limits, they can be used in the CFW-1 with no modification. Because there is no standardization of the 48mm filter mount (other than the 48mm thread), some mounts will not fit the CFW-1. Even these mounts can often be used if modified slightly, but that task is up to the customer. Here is the necessary dimensional information for determining if a 48mm mounted filter will fit:



If the unthreaded portion of the filter exceeds 0.218" in length, it will not be possible to use the standard retention screws. It may be possible to glue the filter in place if removal not an issue.