

Meade® LX90 Wedge Adapter Plate

The LX90 Wedge Adapter Plate permits attachment of the LX90 to the Meade Equatorial Wedge and yields rock solid stability for sensitive applications of the LX90 telescope.

Parts List

Adapter plate
1/2"-13 Allen screw
3/8" Hex wrench

You will also need:

Attachment knobs (3) (included with Wedge)

Installation

1. Attach the equatorial wedge to the tripod as explained on the equatorial wedge instruction sheet (packaged with the equatorial wedge).
2. Place the LX90 telescope on its side on the floor or a sturdy surface. Note the three recessed slots on the bottom of the telescope and the three protrusions (6, Fig. 1) on top of the adapter plate.
3. Insert the Allen screw (2, Fig. 1) through the center hole of the adapter plate. Line up the three protrusions (6, Fig. 1) on the adapter plate with the three recessed slots on the bottom of the telescope and begin to thread the Allen screw into the center hole of the telescope.
4. Using the supplied 3/8" hex wrench, tighten the Allen screw to a firm feel.
5. Note that the adapter plate has two tabs protruding from its sides (5, Fig. 1), each with a threaded hole next to it. Also note a third threaded hole which is not next to a tab. Screw in one of the attachment knobs (4, Fig. 1) into this hole three complete turns.
6. Slide this attachment knob into the slot (3, Fig. 1) at the top of the equatorial wedge tilt-plate, so that it hooks the telescope onto the wedge.
7. The two remaining threaded holes will line up with matching holes in the tilt-plate. Insert the two remaining attachment knobs (4, Fig. 1) through these holes and tighten all three knobs to a firm feel.

The assembly is now complete.

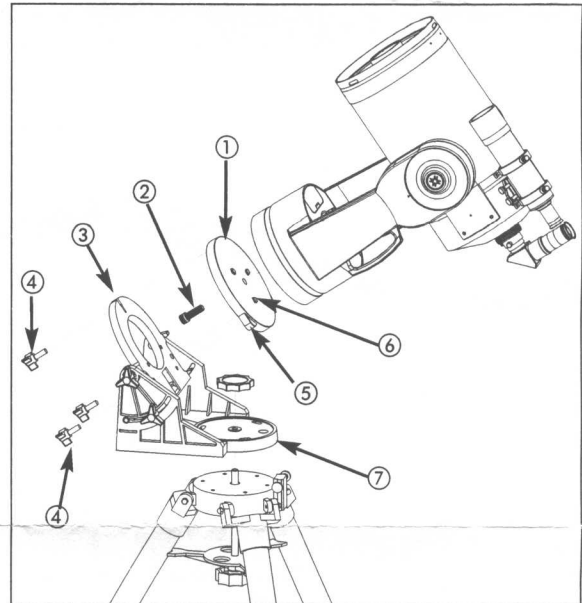


Figure 1: Item 1: Adapter plate; Item 2: Allen screw; Item 3: Wedge slot; Item 4: Attachment knobs; Item 5: Tabs; Item 6: Protrusions on adapter plate; Item 7: Equatorial wedge.

To reduce tripod vibration time, Meade #895 Vibration Isolation Pads are recommended. Contact the Customer Service Department for more information.

If you have any questions regarding the use of the **LX90 Adapter Plate**, please call the Meade Customer Service Department at (949) 451-1450, or fax to (949) 451-1460. Customer Service hours are from 8:30 am to 4:30 PM, Pacific Time, Monday through Friday.



ADVANCED PRODUCTS DIVISION
Meade Instruments Corporation

World's Leading Manufacturer of Astronomical Telescopes for the Serious Amateur
6001 Oak Canyon, Irvine, California 92618 ■ (949) 451-1450
FAX: (949) 451-1460 ■ www.meade.com

© 2001