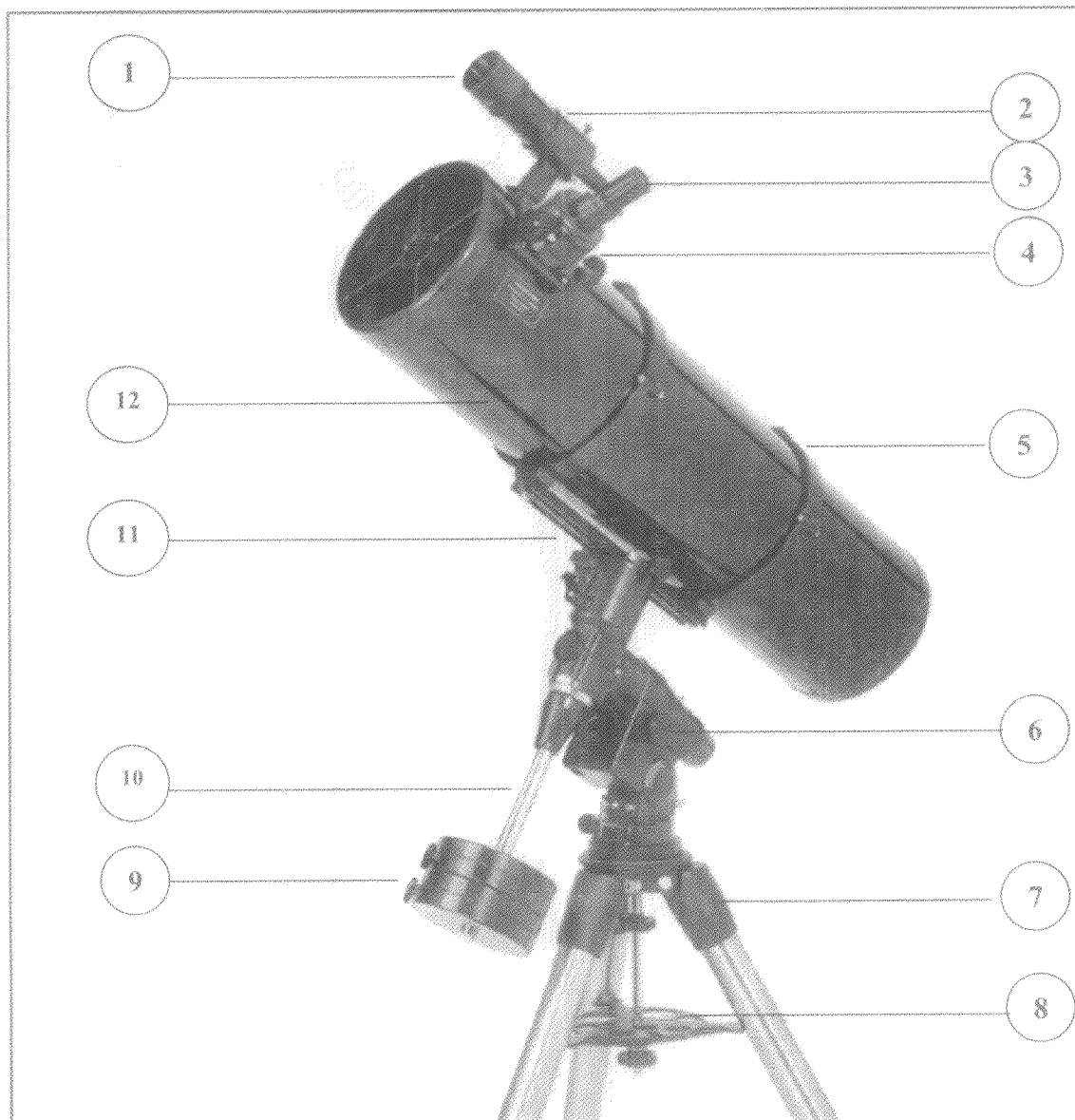




Advanced Series Telescope

C8-N and C10-N
Models #31061 and #11047



The Advanced Series Newtonian (G8-N Shown)

1.	Finderscope	7.	2" Steel Tripod
2.	Finderscope Bracket	8.	Center Leg Brace / Accessory Tray
3.	Eyepiece	9.	Counterweights
4.	Focuser	10.	Counterweight Bar
5.	Tube Rings	11.	Dovetail Slide Bar
6.	Slow Motion Control Knob	12.	Optical Tube

The following is a supplemental addendum to the included instruction manual that explains the new features and standard accessories of Celestron's Advanced Series Newtonian telescopes. Please refer to this addendum for information concerning the specifications, new features and standard accessories included with your telescope. Refer to the owner's manual for step-by-step instruction on assembling and using your telescope.

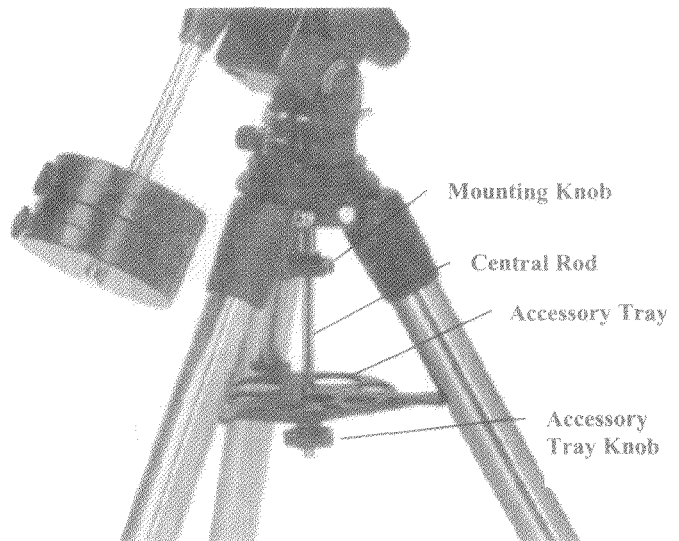
The Advanced Series 8" and 10" Newtonians include the following standard accessories:

	31061	11047
	C8-N	C10-N
Diameter	200mm (8.0") reflector	254mm (10") reflector
Focal Length	1000mm F/5 Parabola	1200mm F/4.7 Parabola
Eyepiece	20mm - 1.25" (50x)	20mm - 1.25" (60x)
Finderscope	9x50	9x50
Mount	CG-5 Equatorial	CG-5 Equatorial
Tripod	2" Stainless Steel	2" Stainless Steel
Software	The Sky L1	The Sky L1

The Celestron Advanced Series Newtonian telescopes offer additional features, heavier mounting and larger apertures than ever before. The CG-5 German equatorial mount now includes ultra sturdy 2" stainless steel legs for extra rigidity and vibration dampening.

The CG-5 tripod comes with an all metal center leg brace / accessory tray to give rock solid support to the mount. To attach the equatorial mount to the tripod:

1. Place the equatorial mount on the tripod as described in your owner's manual.
2. With the accessory tray removed, use the mounting knob to thread the central rod into the hole at the bottom of the equatorial mount.
3. Slide the accessory tray over the central rod so that each arm of the tray is pushing against the inside of the tripod legs.
4. Thread the accessory tray knob on to the central rod and tighten.



CELESTRON TWO YEAR WARRANTY

- A Celestron warrants this telescope to be free from defects in materials and workmanship for two years. Celestron will repair or replace such product or part thereof which, upon inspection by Celestron, is found to be defective in materials or workmanship. As a condition to the obligation of Celestron to repair or replace such product, the product must be returned to Celestron together with proof-of-purchase satisfactory to Celestron.
- B The Proper Return Authorization Number must be obtained from Celestron in advance of return. Call Celestron at (310) 328-9560 to receive the number to be displayed on the outside of your shipping container.

All returns must be accompanied by a written statement setting forth the name, address, and daytime telephone number of the owner, together with a brief description of any claimed defects. Parts or product for which replacement is made shall become the property of Celestron.

The customer shall be responsible for all costs of transportation and insurance, both to and from the factory of Celestron, and shall be required to prepay such costs.

Celestron shall use reasonable efforts to repair or replace any telescope covered by this warranty within thirty days of receipt. In the event repair or replacement shall require more than thirty days, Celestron shall notify the customer accordingly. Celestron reserves the right to replace any product which has been discontinued from its product line with a new product of comparable value and function.

This warranty shall be void and of no force of effect in the event a covered product has been modified in design or function, or subjected to abuse, misuse, mishandling or unauthorized repair. Further, product malfunction or deterioration due to normal wear is not covered by this warranty.

CELESTRON DISCLAIMS ANY WARRANTIES, EXPRESS OR IMPLIED, WHETHER OF MERCHANTABILITY OF FITNESS FOR A PARTICULAR USE, EXCEPT AS EXPRESSLY SET FORTH HEREIN.

THE SOLE OBLIGATION OF CELESTRON UNDER THIS LIMITED WARRANTY SHALL BE TO REPAIR OR REPLACE THE COVERED PRODUCT, IN ACCORDANCE WITH THE TERMS SET FORTH HEREIN. CELESTRON EXPRESSLY DISCLAIMS ANY LOST PROFITS, GENERAL, SPECIAL, INDIRECT OR CONSEQUENTIAL DAMAGES WHICH MAY RESULT FROM BREACH OF ANY WARRANTY, OR ARISING OUT OF THE USE OR INABILITY TO USE ANY CELESTRON PRODUCT. ANY WARRANTIES WHICH ARE IMPLIED AND WHICH CANNOT BE DISCLAIMED SHALL BE LIMITED IN DURATION TO A TERM OF TWO YEARS FROM THE DATE OF ORIGINAL RETAIL PURCHASE.

Some states do not allow the exclusion or limitation of incidental or consequential damages or limitation on how long an implied warranty lasts, so the above limitations and exclusions may not apply to you.

This warranty gives you specific legal rights, and you may also have other rights which vary from state to state.

Celestron reserves the right to modify or discontinue, without prior notice to you, any model or style telescope.

If warranty problems arise, or if you need assistance in using your telescope contact:

Celestron
Customer Service Department
2835 Columbia Street
Torrance, CA 90503
Tel. (310) 328-9560
Fax. (310) 212-5835
Monday-Friday 8AM-4PM PST

This warranty supersedes all other product warranties.

NOTE: This warranty is valid to U.S.A. and Canadian customers who have purchased this product from an Authorized Celestron Dealer in the U.S.A. or Canada. Warranty outside the U.S.A. and Canada is valid only to customers who purchased from a Celestron Distributor or Authorized Celestron Dealer in the specific country and please contact them for any warranty service.