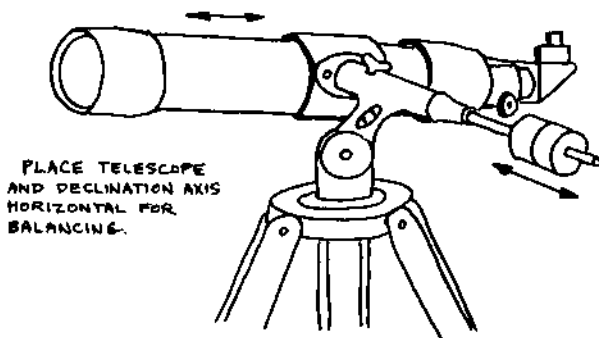


## Renaissance™ EQUATORIAL MOUNTING ASSEMBLY

(See full page diagram for Steps 1-8.)

1. Place long bolts through the tripod leg holes, with washers on the outside of each leg. Attach wing nuts loosely.
2. Slip each notch of the mounting base over a leg bolt and tighten wing nut to secure each tripod leg, being sure the screw eyes and accessory shelf brackets on the legs face inward.
3. Stand the tripod up with legs spread enough to allow brackets to attach to accessory shelf. Attach (with edge lips facing upward) using screws and wing nuts. Attach accessory lamp assembly to shelf using very small screws and nuts.
4. Attach chain to screw eyes on tripod legs.
5. Adjust the polar axis to your latitude, and tighten latitude lock handle firmly.
6. Position both counterweights near the middle of the declination axis shaft and lock firmly. Screw shaft firmly into declination axis housing assembly.
7. Attach adapter plate to telescope mounting clamp using short  $\frac{1}{4}$ "-20 socket head cap screws provided. Remove nuts.
8. Position mounting as shown and be sure all clamp knobs are locked. Place telescope on mounting so that threaded bolts in adapter plate slip down through the matching mounting holes. Hold telescope so that only about  $\frac{1}{8}$ " of thread shows below, to make it easy to attach the nuts. Then tighten nuts fully. You may have to remove pointer for declination axis circle, to attach one of the nuts.
9. Balance the telescope on the polar axis in the following way:
  - A. Loosen the R.A. clamp. The declination clamp should be tight.
  - B. Holding the counterweights, position the declination axis horizontal. Adjust counterweights on the declination axis shaft, if necessary, to achieve balance.

(Drawing for Steps 9 & 10.)



10. Balance the telescope on the declination axis in the following way:
  - A. Lock the R.A. clamp. Remove the lens cap from the telescope. Install one of the heavier eyepieces you own. The declination axis should still be horizontal.
  - B. Hold the objective end of the telescope tube while slowly loosening the declination clamp. Check the balance. Ideally, it should be slightly "heavy" on the eyepiece end with your heaviest eyepiece, and slightly "heavy" on the objective end with your lightest eyepiece.
  - C. If necessary, you can rebalance by loosening the lock screw in the telescope mount clamp, gently sliding the tube a bit, and relocking (not too tight — just enough so the telescope tube doesn't slip when vertical).
11. Attach slow motion flexible shafts to declination and R.A. shaft extensions, and tighten screws to lock onto shaft flats.

