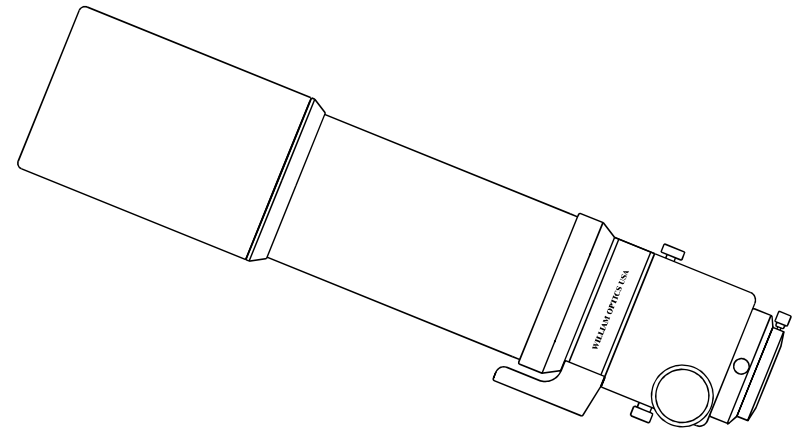


MEGREZ 80 II

INSTRUCTION MANUAL

WILLIAM OPTICS



WILLIAM OPTICS™
Crafting the Earth's Finest Astronomical Instruments
www.william-optics.com

Thank you again for purchasing William Optics MEGREZ 80 II high quality short tube refractor.

This simple step by step instruction guide is designed to provide Megrez owner with a better concept on how to operate the telescope with more precise updated information. This instruction will also guide you through on how to properly maintain your telescope and operate with utmost capabilities, please carefully familiarize your telescope parts and its function before operation.

WARNING!

Do not use this telescope under any circumstances directly view the sun.

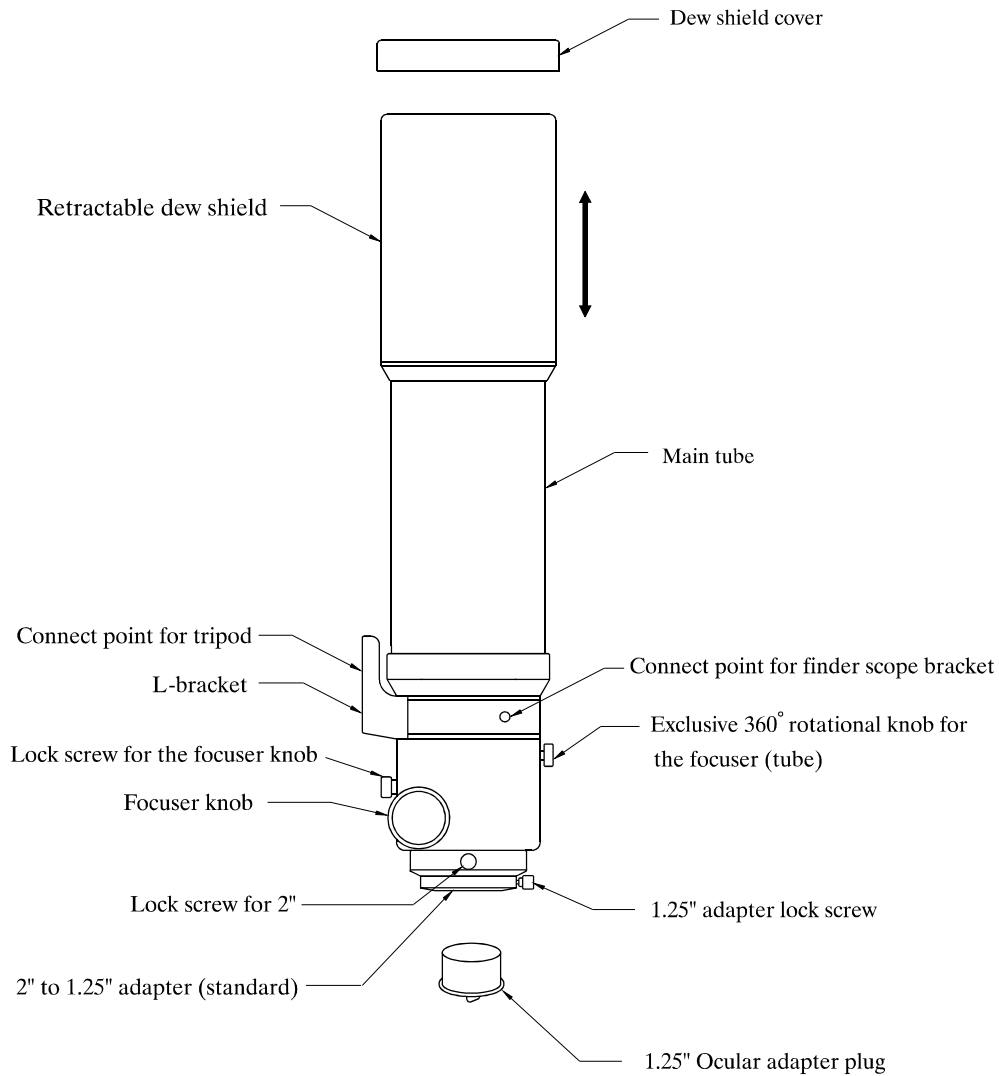
It could easily cause instant blindness or serious damage to your eye. Use only appropriate designed solar filter that will reject 99.96% of the sun light and heat before view the sun. Educate your family on how to use this telescope properly during day and nighttime observation. For further information please contact your local dealer.



CONTENTS

Getting to know your telescope	3
MEGREZ 80 II Specification	4
MEGREZ 80 II Accessories Chart	5
Connection Instruction (2" Diagonal Mirror)	6
Connection Instruction (2" 45° Erecting Prism)	7
Connection Instruction (Finderscope)	8
Connection Instruction (Aligning Finderscope)	9
Standard Equipment	10
Usage	10
Storage and Clean	11
Caution and Safety	12
Contact	12
Optional Accessories	13-20

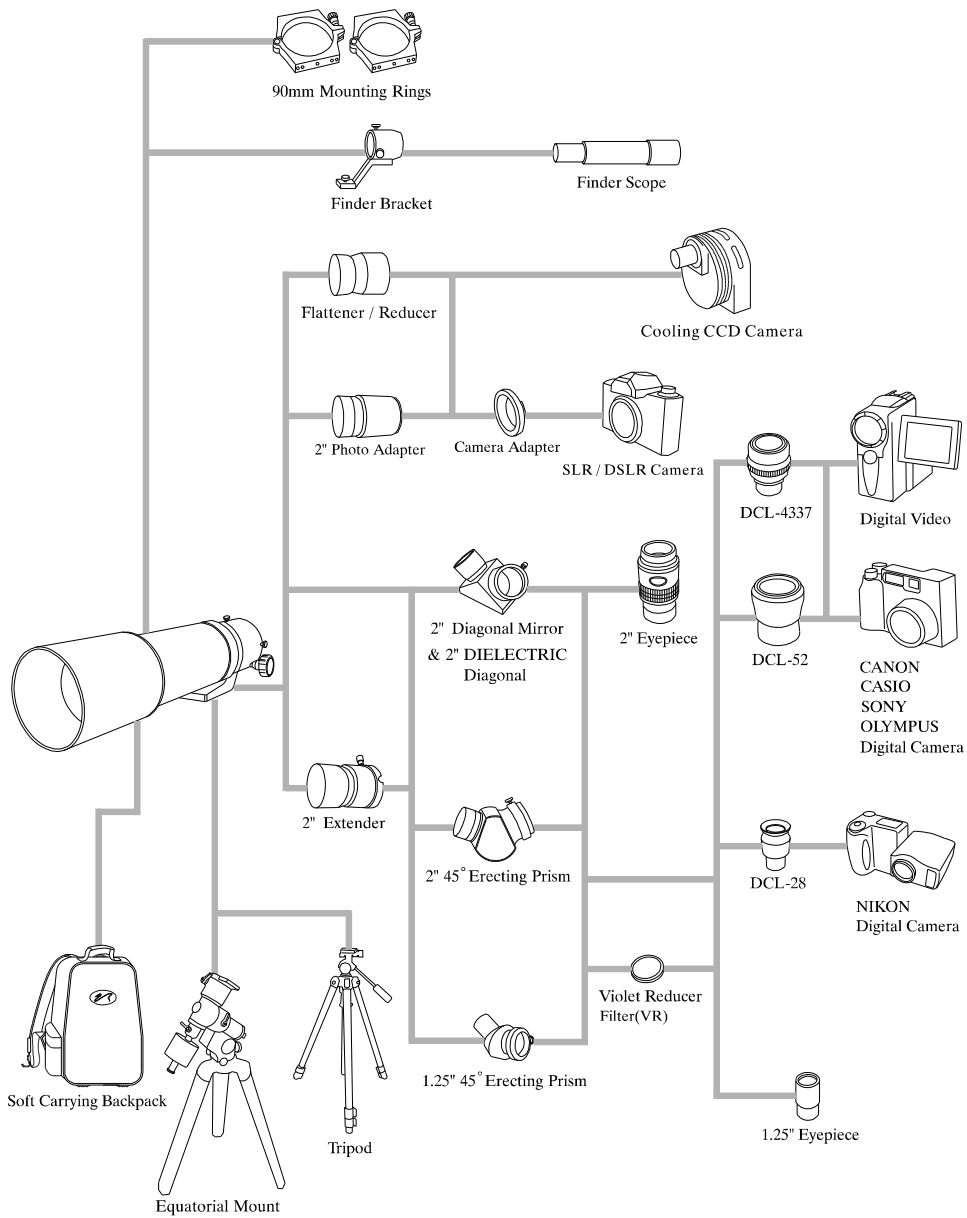
Getting to know your telescope :



MEGREZ 80 II Specification

Aperture	80mm
Focal Ratio	F 6.25
Focal Length	500mm
Objective Type	Doublet Air Spaced / MC Coated
Resolving Power	1.45"
Limiting Magnitude	11.3
Lens Shade	Retractable
Focuser	2" Rotatable Crayford Focuser / Travel Length 3"(78mm) / 2" Copper Compression Ring is Included
L-Type mount	L Bracket Based
1.25" Adapter	Copper Compression Ring is Included
Field Stops	7 Baffled with Ultra Flat Black Interior
Tube Diameter	90mm
Tube Weight	5.02 lbs.
Tube Length	15.0" (380mm) Fully Retracted 18.3" (465mm) Fully Extended

MEGREZ 80 II Accessories Chart

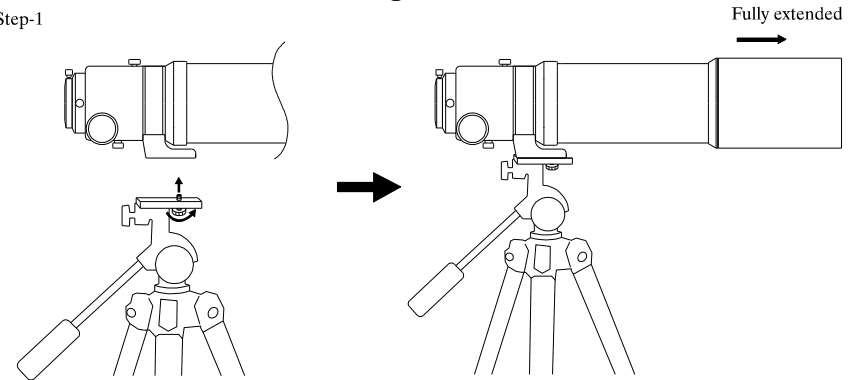


Above diagram is only for future connectivity purpose. Please contact our authorized dealer for accessories purchase.

Operation and safety Manual:

Connection Instruction (2" Diagonal Mirror)

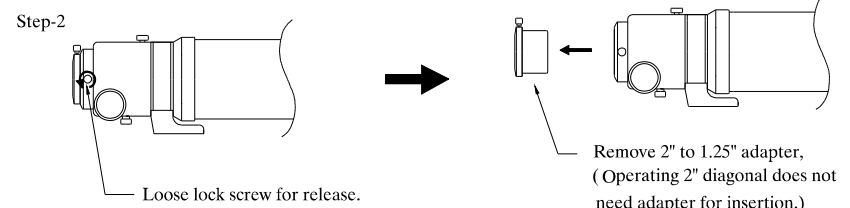
Step-1



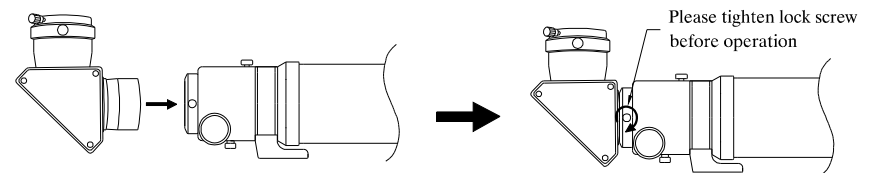
Connecting point between MEGREZ 80 (L-bracket) and commercial tripod . Carefully lock down the knob beneath before operation.

Telescope and Tripod connection complete.

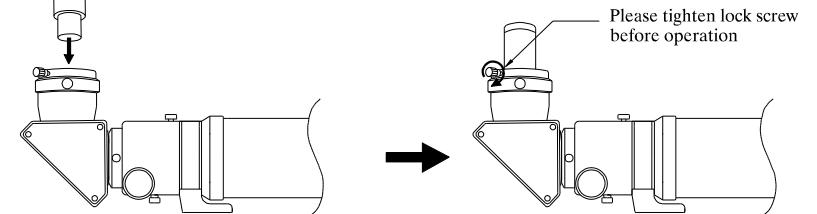
Step-2



Step-3



Step-4

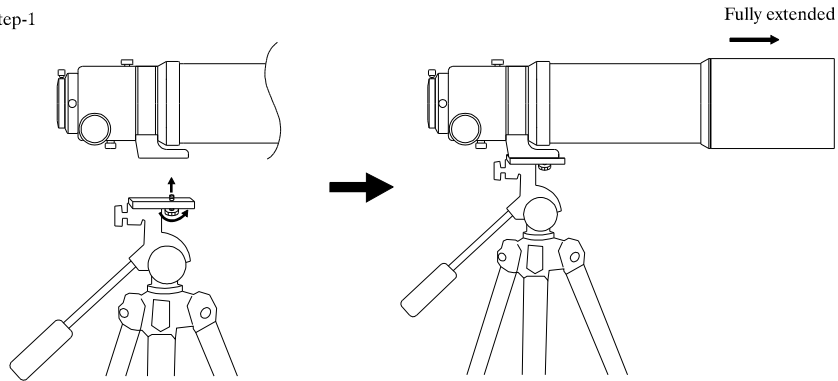


Insert eyepiece for visual observation

Operation and safety Manual:

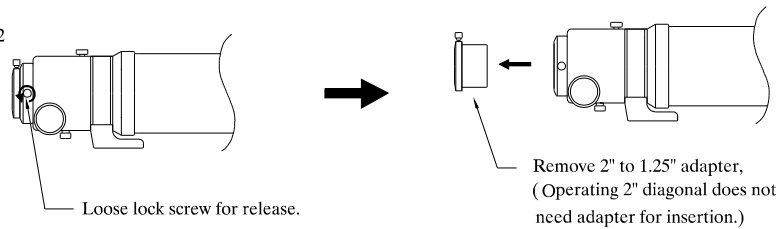
Connection Instruction (2" 45° Erecting Prism)

Step-1



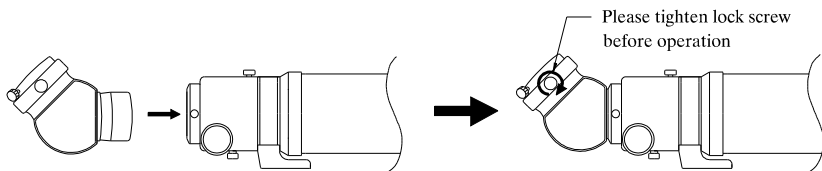
Connecting point between MEGREZ 80 (L-bracket) and commercial tripod . Carefully lock down the knob beneath before operation. Telescope and Tripod connection complete.

Step-2



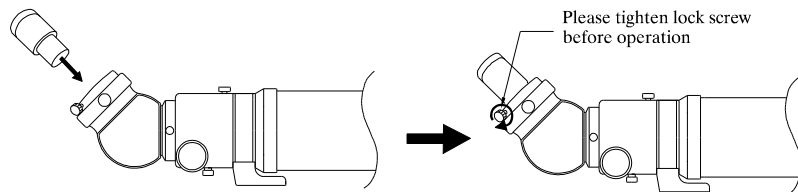
Remove 2" to 1.25" adapter, (Operating 2" diagonal does not need adapter for insertion.)

Step-3



Please tighten lock screw before operation

Step-4



Please tighten lock screw before operation

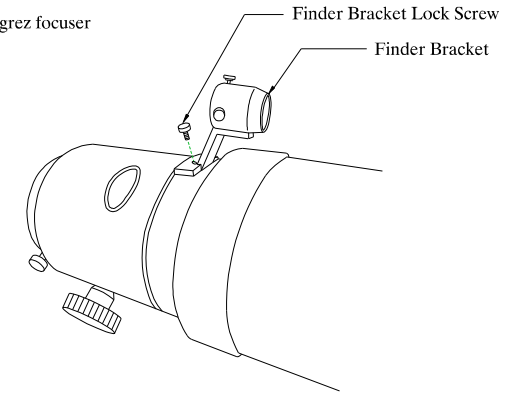
Insert eyepiece for visual observation

Operation and safety Manual:

Connection Instruction (Finderscope)

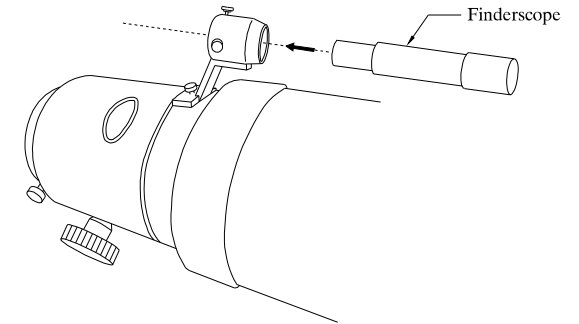
Step-1

Place the finder bracket on Megrez focuser and attach with lock screw.

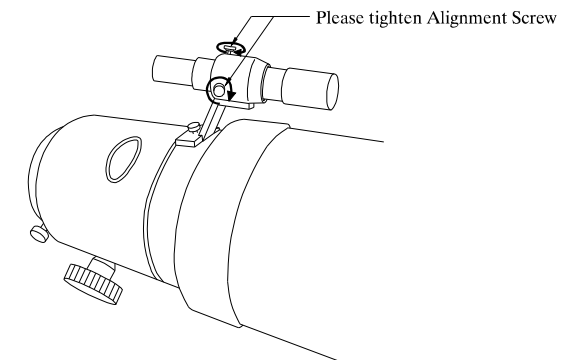


Step-2

Insert finder scope into finder bracket.



Step-3



Please tighten Alignment Screw

Operation and safety Manual:

Connection Instruction (Aligning Finderscope)

Step-1

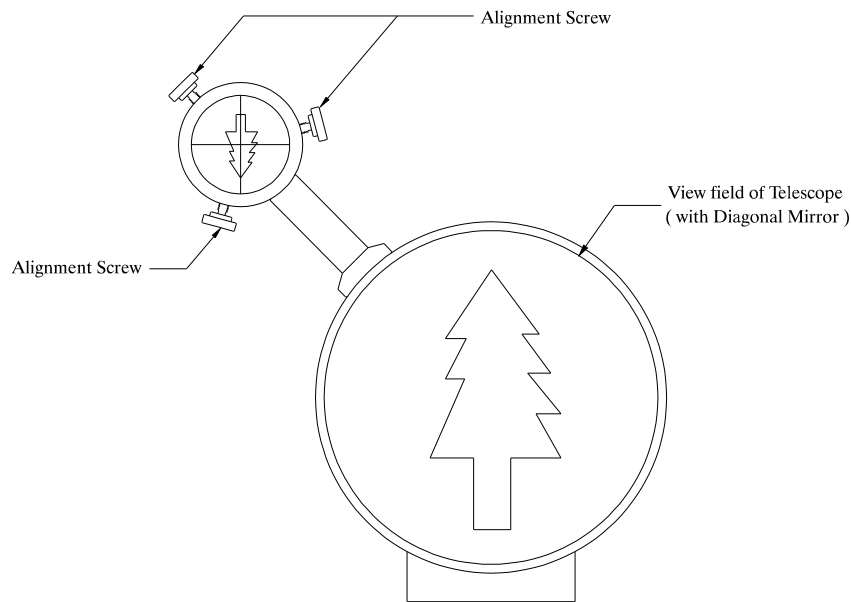


Aligning the finderscope to point at the same object.

Find a distant object in telescope with lower power eyepiece.

Aligning the finderscope to point at the same object by loosening or tightening alignment screws.

Use higher power eyepiece and repeat this procedure.

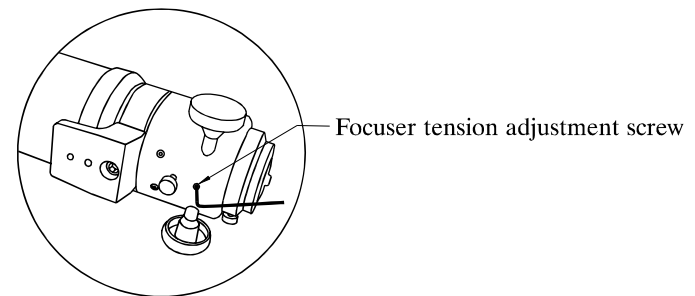


Standard Equipment

1. WO backpack with custom fitted foam.
2. L-bracket based
3. Dew shield cover.
4. 2" to 1.25" adapter.
5. Instruction Manual

Usage

During daytime usage and nighttime observation, depending on your range of applications, you have many choices you can choose from on precision eyepieces with different magnifications. The greatest flexibility range from 20x to 60x zoom eyepieces, it can easily locate an object in its surrounding with lower magnification, and then gradually zoom-in with higher power ocular for maximum close-up and vivid details. The largest field of view is covered by 20x low power wide-angle ocular; ideally for brilliant and bright image that produces great magnification. Be sure to operate with rigid tripod, other options like German equatorial mount, which has been used by most amateur astronomer for precise tracking stability. Optional WO mounting rings with 2 inch star mirror diagonal is highly recommended for high quality images. Megrez 80 II is excellent and suitable for nebulae, clusters, large galaxies, comets or CCD imaging; we also suggest using low power wide-angle ocular for best result. View the moon and planet up to 100X is quite impressive at stable seeing. Day-time sun observing, direct view the sun is prohibit, must use proper solar filter before operation, (e.g., H-alpha filter and other brands). For more information on proper solar filters and various brands, please visit our authorized dealer for detail information.



Focuser tension can be adjust using allen screw only when necessary. Please consult with William Optics dealer or manufacture for any uncertainty before making adjustment.

Storage and Clean

- Suggest placing all accessories inside airtight container with desiccative control. Second, remember to store the telescope in non-humid environment, never leave your telescope in hot heated environment. If telescope is not properly store it may create fungus growth and other unnecessary build up.
- In case if lens surface become dusty, smear, or gets fingerprints and fungus build-up. First by using air blower to remove surface particle, than carefully wipe the lens gently with proper soft cloth paring with lens liquid cleaner to get the best cleaning result. Indication mentioned above does not easily happen if you carefully protect your telescope with caution. (Note: make sure to change new soft cloth momentarily for best cleaning result) .
- How to care for exterior body tube, always wipe down with a soft cloth with clean water, water would be enough to do the job. Please do not use any organic solvent on your telescope, example like alcohol, benzene and other hazardous chemical.

Caution for safety

- **Caution! Never directly view the sun light with your telescope.** Loss of eyesight can occur when your telescope is not properly protected by solar viewing filter. (Solar filter can be easily purchase through our authorized dealer).
- Always place the optical telescope assembly (OTA) on a completely flat surface, unstable placement of telescope may cause telescope to fall, and if treat your telescope without caution, it may easily injure yourself and others.
- Never use your telescope under rainy condition, this telescope is not designed with water-proof. If your telescope accidental get caught in the rain, please wipe down the water with dry clean cloth, but if the lens is totally soak by water please contact your authorized dealer right away for detail service solution.
- **Do not disassemble your telescope without authorization form the manufacture,** this will violate the warranty under the limited product warranty section. Always consult with your local retailer or manufacture for detail on how to care and service your telescope.

Contact

William Optics USA

USA (CA) : (714) 209-0388

Fax : (714) 821-4015

Technical Support : support@william-optics.com

www.william-optics.com